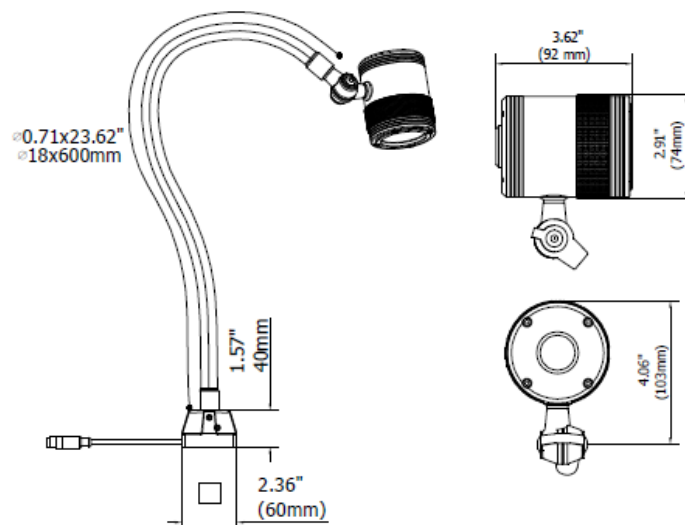




The lamps of the new Sirio series have the head completely in anodized aluminum with IP67 protection degree in order to withstand the most demanding industrial applications. Proposed in two versions: 3 and 6 LEDs, they exploit LED technology with high luminous efficiency. Sirios therefore offer maximum luminous efficiency for the most demanding local industrial lighting needs. Flicker-free and dimmable thanks to the brand-new touch switch, the SIRIO are compact LED lamps ideal for workplaces and manual machine tools such as manual and semi-automatic cutters, parallel lathes, drills, brushing machines. Thanks to the 3 arm possibilities, it guarantees a very precise adjustment of the head position.

- Structure made entirely of anodized aluminum
- Maintenance-free thanks to high efficiency LED technology
- Light source 3 or 6 power LED
- Light color 5,000 K
- 24 Vdc power supply via M12-A 3P connector
- Dimmable with touch system
- Optic 40° concentration lens
- External plug-in power supply available for 100 - 240 Vac power supply

## DIMENSIONS



## MECHANICAL FEATURES

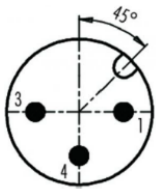
Model	SR0321BF1	SR0321BF5	SR0621BF1	SR0621BF5		
Casing Material	Anodized aluminum					
Side Caps	Anodized aluminum					
Surface Treatment	Standard: 10 microns of black aluminum solution oxidation					
Front Glass	0.16 in (4 mm). thick, extra clear tempered glass					
Weight (excluding accessories)	~3.97 lb (1,8 kg)	~3.97 lb (1,8 kg)	~3.64 lb (1,65 kg)	~3.64 lb (1,65 kg)		
Protection Index	IP67 Compatible with NEMA Type 12					
Impact Resistance	1.00 N m/s	1.00 N m/s	1.00 N m/s	1.00 N m/s	1.00 N m/s	1.00 N m/s
Operating Temperature	04 °F (-20 °C) to +113 °F (+ 45 °C)					
Installation	SCREWS, CLAMP04, B02					

## ELECTRICAL FEATURES

Model	SR0321BF1	SR0321BF5	SR0621BF1	SR0621BF5
Power Input	6 W (@500mA)	6 W (@500mA) dimmable	12 W (@500mA)	12 W (@500mA) dimmable
Power Supply	24 Vdc			
Current	0,25 A		0,40 A	
Device Power Protection	Protection against reverse polarity			
Electrical Connection	M12 A Coding 3P with cable L. 7.2 ft (2,2 m)			
Insulation Class	Only lamp Class III (SELV)			
Efficiency Class	A/A+/A++/A+++ (Integrated LED module) compliant with UE Law No. 874/2012			

## CONNECTION

PUR 2x 0.34 mm<sup>2</sup> L= 7.2 ft. (2,2 m)



Pin

Connection

1

+ 24 Vdc

3

0 Vdc

4

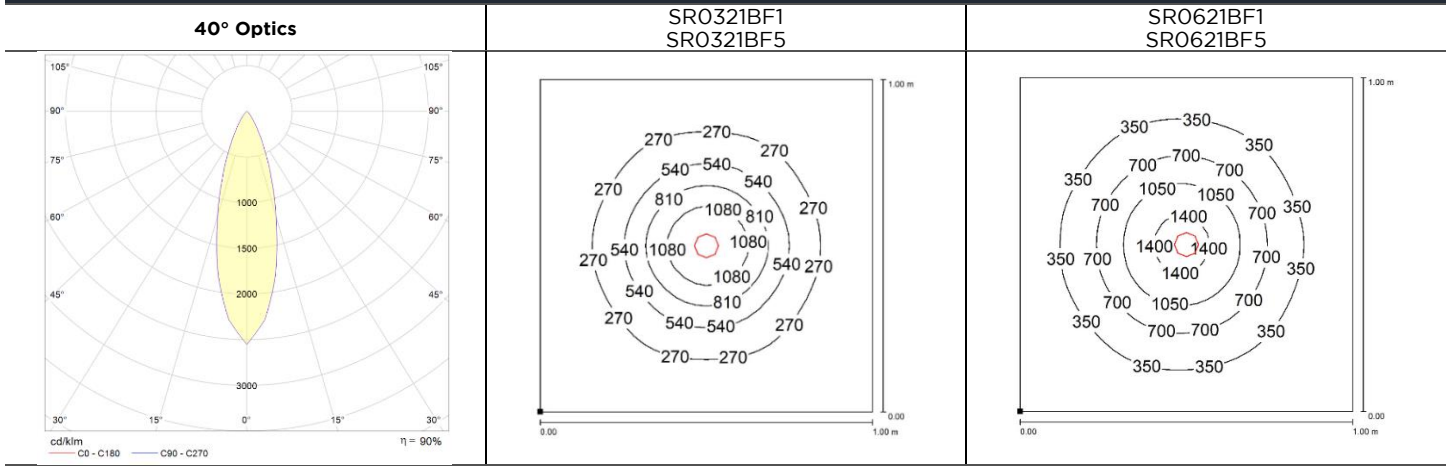
Not connected

## OPTICAL FEATURES

Model	N° and Type of LEDs	LED Lifespan	Light Color	CRI	Light Beam Angle	Luminous Flux	Efficiency
SR0321BF1	3 Power LED	60 000 h L70 **	5,000 K	80	40° Optics	~ 450 lm	~ 75 lm/W
SR0321BF5	3 Power LED	60 000 h L70 **	5,000 K	80	40° Optics	~ 455 lm DIM	~ 75 lm/W
SR0621BF1	6 Power LED	60 000 h L70 **	5,000 K	80	40° Optics	~ 630 lm	~ 53 lm/W
SR0621BF5	6 Power LED	60 000 h L70 **	5,000 K	80	40° Optics	~ 630 lm DIM	~ 53 lm/W



\*\* Flow beam reduced by less than 30% after 60,000 hours

## PHOTOMETRIC DIAGRAMS




Distance graphic: 1m

## MOUNTING OPTIONS

Product pictures	Description	Code product
	<p>Robust, versatile vibration-resistant metal clamp made of black powder-coated stainless steel. Quick assembly on workbenches, manual machine tools, drilling machines etc.</p>	<p>CLAMP04</p>
	<p>The strong neodymium magnetic base with high adhesion is the perfect solution for all applications that require both high adhesion and frequent changes in light position.</p>	<p>B02</p>

## EXTERNAL AC/DC CONVERTER 100 – 240 Vac

Product pictures	Description	Code product
	<p>AC/DC Converter 100-240Vac/24Vdc 18W</p>	<p>SR23018W</p>

## ORDER CODES

Model	Description
<b>SR0321BF1</b>	SIRIO gooseneck, 3 LED, 23.62"(600mm), 40°, 6W, 24Vdc, Cable 7ft(2.2m) with M12A-3P Male
<b>SR0321BF5</b>	SIRIO gooseneck, 3 LED, 23.62"(600mm), 40°, 6W, 24VDC, Cable 7ft(2.2m) with M12A-3P Male, Touch Switch
<b>SR0621BF1</b>	SIRIO gooseneck, 6 LED, 23.62"(600mm), 40°, 12W, 24VDC, Cable 7ft(2.2m) with M12-A 4P Male
<b>SR0621BF5</b>	SIRIO gooseneck, 6 LED, 23.62"(600mm), 40°, 12W, 24VDC, Cable 7ft(2.2m) with M12-A 4P Male, Touch Switch
<b>CLAMP04</b>	Metal clamp for 2,36x2,36"(60x60mm) base
<b>B02</b>	Magnetic base with screw 2.36x2.36 inc.(60x60mm)