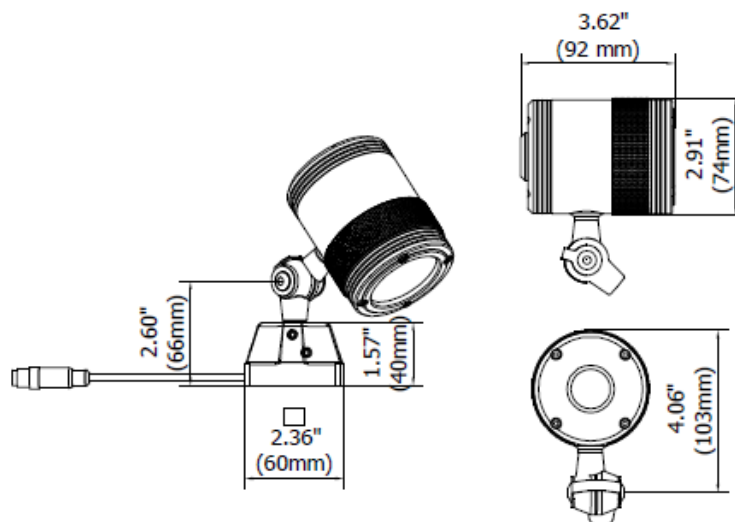


The lamps of the new Sirio series have the head completely in anodized aluminum with IP67 protection degree in order to withstand the most demanding industrial applications. Proposed in two versions: 3 and 6 LEDs, they exploit LED technology with high luminous efficiency. Sirios therefore offer maximum luminous efficiency for the most demanding local industrial lighting needs. Flicker-free and dimmable thanks to the brand-new touch switch, the SIRIO are compact LED lamps ideal for workplaces and manual machine tools such as manual and semi-automatic cutters, parallel lathes, drills, brushing machines. Thanks to the 3 arm possibilities, it guarantees a very precise adjustment of the head position.

- Structure made entirely of anodized aluminum
- Maintenance-free thanks to high efficiency LED technology
- Light source 3 or 6 power LED
- Light color 5,000 K
- 24 Vdc power supply via M12-A 3P connector
- Dimmable with touch system
- Optic 40° concentration lens
- External plug-in power supply available for 100 - 240 Vac power supply

DIMENSIONS



MECHANICAL FEATURES

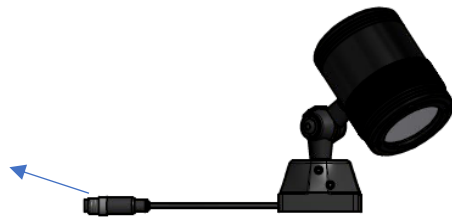
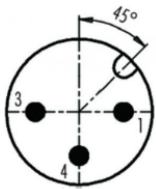
Model	SR0321BC1	SR0321BC5	SR0621BC1	SR0621BC5
Casing Material	Anodized aluminum			
Side Caps	Anodized aluminum			
Surface Treatment	Standard: 10 microns of black aluminum solution oxidation			
Front Glass	0.16 in (4 mm). thick, extra clear tempered glass			
Weight (excluding accessories)	~ 1.87 lb (0.85 kg)	~ 1.87 lb (0.85 kg)	~ 1.94 lb (0.88 kg)	~ 1.94 lb (0.88 kg)
Protection Index	IP65			
Impact Resistance	1.00 N m/s	1.00 N m/s	1.00 N m/s	1.00 N m/s
Operating Temperature	-20 °C / + 45 °C			
Installation	SCREWS, CLAMP04, B02			

ELECTRICAL FEATURES

Model	SR0321BC1	SR0321BC5	SR0621BC1	SR0621BC5
Power Input	6 W (@500mA)	6 W (@500mA) dimmerabile	12 W (@500mA)	12 W (@500mA) dimmerabile
Power Supply	24 Vdc			
Current	0,25 A		0,40 A	
Device Power Protection	Protection against reverse polarity			
Electrical Connection	M12 A Coding 3P with cable L. 9.2 ft (2,8 m)			
Insulation Class	Only lamp Class III (SELV)			
Efficiency Class	A/A+/A++/A+++ (Integrated LED module) compliant with UE Law No. 874/2012			

CONNECTION

PUR 2x 0.34 mm² L= 9.2 ft. (2,8 m)



Pin Connection

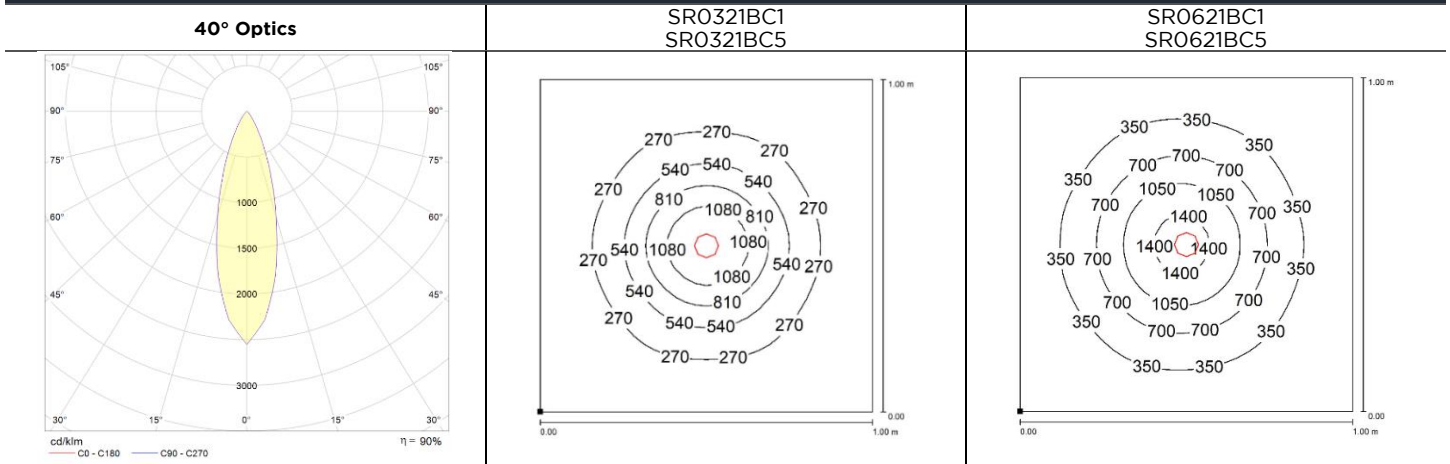
1	+ 24 Vdc
3	0 Vdc
4	Not connected

OPTICAL FEATURES

Model	N° and Type of LEDs	LED Lifespan	Light Color	CRI	Light Beam Angle	Luminous Flux	Efficiency
SR0321BC1	3 Power LED	60 000 h L70 **	5,000 K	80	40° Optics	~ 450 lm	~ 75 lm/W
SR0321BC5	3 Power LED	60 000 h L70 **	5,000 K	80	40° Optics	~ 455 lm DIM	~ 75 lm/W
SR0621BC1	6 Power LED	60 000 h L70 **	5,000 K	80	40° Optics	~ 630 lm	~ 53 lm/W
SR0621BC5	6 Power LED	60 000 h L70 **	5,000 K	80	40° Optics	~ 630 lm DIM	~ 53 lm/W

** Flow beam reduced by less than 30% after 60,000 hours

PHOTOMETRIC DIAGRAMS



Distance graphic: 1m

MOUNTING OPTIONS

Product pictures	Description	Code product
	<p>Robust, versatile vibration-resistant metal clamp made of black powder-coated stainless steel. Quick assembly on workbenches, manual machine tools, drilling machines etc.</p>	<p>CLAMP04</p>
	<p>The strong neodymium magnetic base with high adhesion is the perfect solution for all applications that require both high adhesion and frequent changes in light position.</p>	<p>B02</p>

EXTERNAL AC/DC CONVERTER 100 – 240 Vac

Product pictures	Description	Code product
	<p>AC/DC 100-240Vac/24Vdc 18W</p>	<p>SR23018W</p>

ORDER CODES

Model	Description
SR0321BC1	SIRIO swivel head, 3 LED, 40°, 6W, 24Vdc, Cable 9ft(2.8m) with M12A-3P Male
SR0321BC5	SIRIO swivel head, 3 LED, 40°, 6W, 24Vdc, Cable 9ft(2.8m) with M12A-3P Male, Touch Switch
SR0621BC1	SIRIO swivel head, 6 LED, 40°, 12W, 24Vdc, Cable 9ft(2.8m) with M12A-3P Male
SR0621BC5	SIRIO swivel head, 6 LED, 40°, 12W, 24Vdc, Cable 9ft(2.8m) with M12A-3P Male, Touch Switch
CLAMP04	Metal clamp for 2,36x2,36"(60x60mm) base
B02	Magnetic base with screw 2.36x2.36 inc.(60x60mm)