

# MIZAR Series

ENGLISH

Installation Manual



---

## Index

1. Product description .....	3
2. Safety Warnings .....	4
2.1 Proper use .....	4
2.2 Product safety .....	4
2.3 Levels of risk .....	6
3. Available Versions .....	7
4. Installation Guide .....	7
4.1 Product sizes .....	7
4.2 Fastening accessories .....	8
4.3 Installation.....	9
5. Power connection .....	11
5.1 24VDC power connection .....	11
5.2 230V power connection .....	11
5.3 Optional cable connections .....	12
6. Switch on- Switch off .....	12
7. Problem solving .....	13
8. Light source replacement .....	13
9. Product maintenance and cleaning .....	13
10. Repairs .....	13
11. Warranty .....	14
12. Product Disposal .....	14
13. Technical information .....	15
14. Symbols .....	15
15. Declaration of Compliance .....	16

## 1. Product Description

MIZAR is the Avant-Gard lamp for Work, Assembly and Quality Control Stations



- Anodized aluminum casing
- End caps in nylon (PA66)
- Front prismatic plexiglass (PMMA)
- Mid Power LED light source
- 50% energy savings and constant flow beam for 60.000 hours
- 24 Vdc or 110/230Vac via cable 10 ft (3m)
- 4 model sizes from 12W to 48 W
- Overhead mounting bracket and wall mounting bracket available

## 2. Safety Warnings

Each lighting device in the **MIZAR** series was designed and manufactured based on state-of-the-art techniques.

It is made of well-selected, high-quality materials. It is carefully tested throughout the production process, from the raw material through to packaging, following a detailed production schedule so as to guarantee that the product is safe and reliable

Material damages, as well as bodily injuries, may nevertheless still occur while using it.



- This manual is part of the equipment and must always be kept with it.
- Please make sure that ALL instructions/information in this manual is carefully read through.
- Strict compliance with the instructions provided in this manual and on the lighting equipment is required for its correct use
- Installation and use of the product is recommended only provided it is in perfect conditions,

and the user is well-acquainted with all safety instructions

- CCEA, the manufacturer, waives any responsibility in case of product tampering or improper use.

### 2.1 Proper use of the product

This lighting equipment is fit for being installed inside machine tools, even in a wet environment

### 2.2 Product safety

#### Electrical Risks

The improper and incorrect use of the equipment may cause bodily injuries and material damages.

- All electrical connection procedures must be carried out by a licensed electrician.
- Switch off the power supply before any installation, maintenance or reparation procedures.
- Please ensure that the power supply rated tension and frequency meets the requirements shown on the product label. Please respect cable polarity.
- Maintenance and reparations must only be carried out by qualified electricians.

#### Risk of explosion

The Risk of the explosion might occur upon installing and using this product for applications with a high risk of

explosion. It might cause severe body injuries.

- **Do not** install and use this product in hazardous environments (high risk of explosion).

### **Installation and safety**

- Handle the lamp with care and avoid having it drop or being hit even it is still packed which might cause body injuries, as well as material damages.
- Ensure the original mounting accessories are used, as available from the manufacturer.
- Set up the mounting accessories properly.
- The equipment must be correctly fastened using the proper screws according to the application, place and surface where the product is being mounted.
- Ensure that the fastenings are regularly checked.

### **Danger of dazzling glare due to a white light source**

Avoid staring directly at the light source, as it may cause a temporary reduction of vision. Irritation, aches, damages or accidents may as well occur.

- Avoid staring directly at the light source.
- The device must be adjusted so as to avoid having the light flow directed towards the eyes.

### **Danger caused by inappropriate spare parts.**

Using inappropriate spare parts may cause bodily injuries and material damages.

- **Do not** use spare parts that have not approved by the manufacturer.

### **Damage caused by the presence of laser beams**

Use of the TRACKALPHA LED lighting equipment **is not** allowed when a high power laser – see: a laser cutting system - is operating, since it may damage the LED source.

### **Danger due to high temperatures**

Installing and using the equipment in all the environments where the existing temperature remarkably exceeds the foreseen operating temperature will considerably reduce LED lifetime while damaging as well the built-in electronic components.

- **Do not** use this Device in environments where the operating temperature of the device is exceeded.
- **Operating temperature -4/+113°F (-20/+45°C)**
- Avoid direct solar radiation.

### **Danger due to repairs**

- Having the product disassembled or repaired without any appropriate technical /electrical knowledge may cause damages to persons and objects.

- **Do not** try to repair or disassemble the equipment. Please apply to qualified technicians for any issues. Any product tampering or modifications not having been approved by the manufacturer will null and void the warranty.

### 2.3 Damage risk levels



#### HAZARD

Dangers that in case of non-compliance **immediately** causes serious injuries or even death.



#### WARNING

Dangers that in case of non-compliance **could** cause serious injury or even death.



#### ATTENTION

Dangers that in case of non-compliance could cause injury.

#### NOTICE

Danger that can cause material damage in case of non-observance.

### 3. Available Versions

Please refer to the table hereunder listing all the lighting equipment, for you to identify the version you need and its main features, for you to have the lighting equipment correctly and efficiently installed and used.

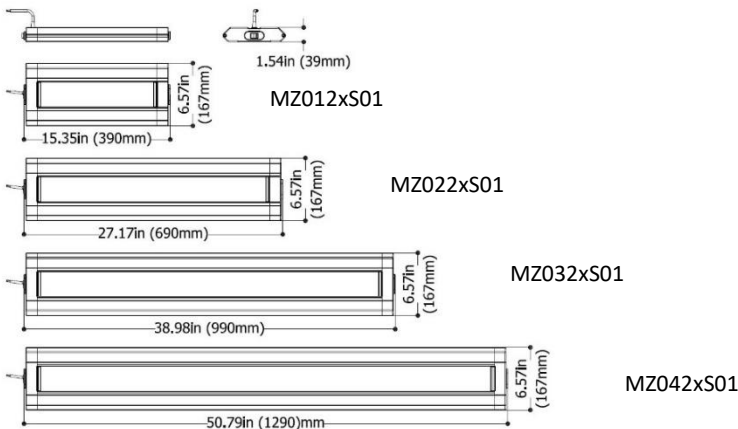
**Note:** The product code is found on the brand name label stuck on the product's backside.

- Find out the product code printed on the brand name label and see if you find it on the table hereunder;
- Compare the codes and see if you can identify the same model on the table hereunder;
- The code printed on the brand name label shows the device's week and year of production.

Model	Length	Optics	Power	Power Usage	E Connection	Weight
MZ0121S01	15.35 " (390 mm)	120°	12 W	24 Vdc	CABLE 10 ft (3 m)	2.87 lb (1,30 kg)
MZ0122S01	15.35 " (390 mm)	120°	12 W	220-240 Vac	CABLE 10 ft (3 m)	3.64 lb (1,65 kg)
MZ0124S01	15.35 " (390 mm)	120°	12 W	100-120 Vac	CABLE 10 ft (3 m)	3.64 lb (1,65 kg)
MZ0221S01	27.17 " (690 mm)	120°	24 W	24 Vdc	CABLE 10 ft (3 m)	5.18 lb (2,35 kg)
MZ0222S01	27.17 " (690 mm)	120°	24 W	220-240 Vac	CABLE 10 ft (3 m)	5.89 lb (2,70 kg)
MZ0224S01	27.17 " (690 mm)	120°	24 W	100-120 Vac	CABLE 10 ft (3 m)	5.89 lb (2,70 kg)
MZ0321S01	38.98 " (990 mm)	120°	36 W	24 Vdc	CABLE 10 ft (3 m)	7.39 lb (3,35 kg)
MZ0322S01	38.98 " (990 mm)	120°	36 W	220-240 Vac	CABLE 10 ft (3 m)	8.16 lb (3,70 kg)
MZ0324S01	38.98 " (990 mm)	120°	36 W	100-120 Vac	CABLE 10 ft (3 m)	8.16 lb (3,70 kg)
MZ0421S01	50.79 " (1290 mm)	120°	48 W	24 Vdc	CABLE 10 ft (3 m)	9.37 lb (4,25 kg)
MZ0422S01	50.79 " (1290 mm)	120°	48 W	220-240 Vac	CABLE 10 ft (3 m)	10.14 lb (4,60 kg)
MZ0424S01	50.79 " (1290 mm)	120°	48 W	100-120 Vac	CABLE 10 ft (3 m)	10.14 lb (4,60 kg)

### 4. Guide to Installation

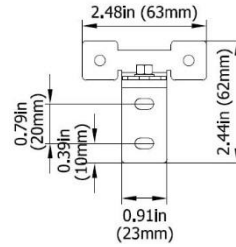
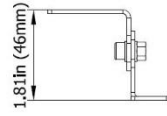
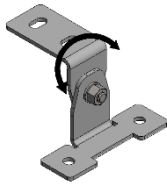
#### 4.1 Product sizes and accessories



Picture 01

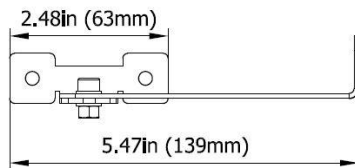
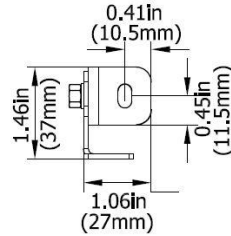
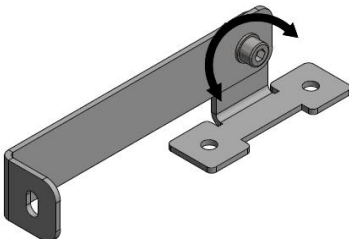
## 4.2 Mounting Accessories

### Ceiling fixing with MZ.FX01



Picture 02

### Wall fixing with MZ.FX02



Picture 03



### 4.3 Installation



#### ATTENZIONE

#### The lamp fall-down may cause damage to persons and objects

- When mounting the lamp ensure that the original fastenings are used, which you may purchase from the supplier.
- Make sure the mounting accessories have correctly installed



#### WARNING

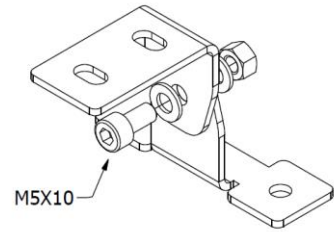
**Switch off power supply before proceeding to installation.**

#### Correct installation using MZ.FX01

The fastener kit consists of:

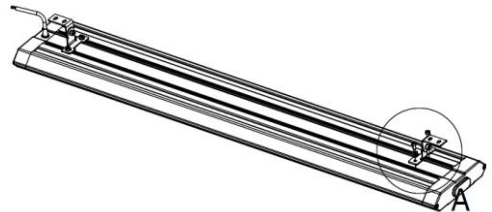
- No.2 pairs of chrome steel brackets for lamp plaphone fastening
- No.2 screws M5x10 with washers for mating brackets
- No.2 M5x10 screws with rolls for fixing brackets on the lamp

Hook the two pairs of fastening brackets using the screw (Picture 04)

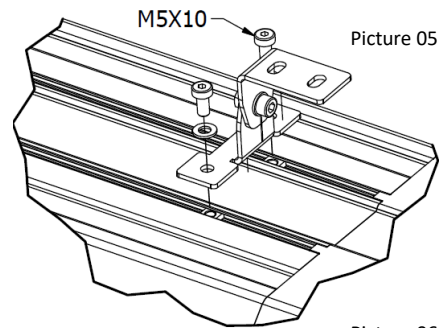


Picture 04

Then fasten the brackets to the four-dice lamp (Picture 5,6).

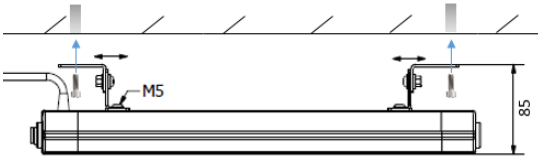


Picture 05



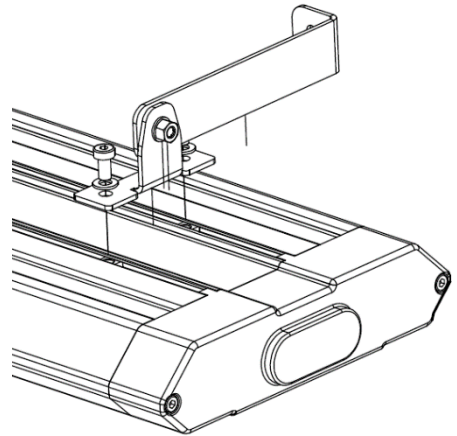
Picture 06

Then attach the lamp to the dedicated structure, using suitable M5 screws, chosen by the installer (Picture 7)



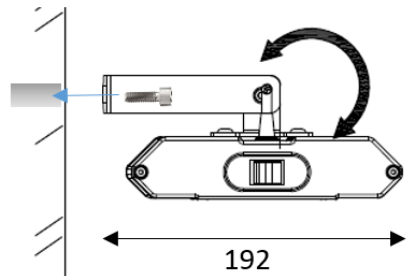
Picture 07

Then fasten the brackets to the four-dice lamp (Picture 09)



Picture 09

Then attach the lamp to the dedicated structure, using suitable M5 screws, chosen by the installer (Picture 10)



Picture 10

➤ Then connect the lamp to the power supply.

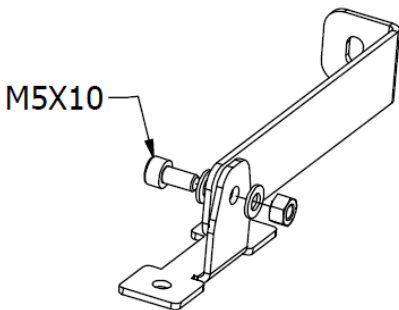
➤ Then connect the lamp to the power supply.

**Correct installation using MZ.FX02**

The fastener kit consists of:

- No.2 pairs of chrome steel brackets for lamp plaphone fastening
- No.2 M5x10 screws with bracket coupling washers
- No.2 M5x10 screws with bracket fastening washers on the lamp

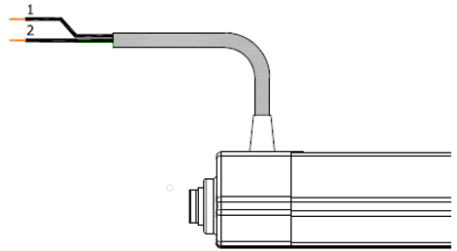
Hook the two pairs of fastening brackets using the supplied screw (Picture 08)



Picture 08

**NOTICE****Damaging or destruction of the appliance.**

- Periodically check the mounting system and the tightening of the screws

**Cable output on the back of the lamp****Conductor**

Black 1

Black 2

**Connection**

24VDC

0VDC

*\*On request the possibility of exiting side cable opposite to the side of the switch*

**5. Plug-in****NOTICE****Material damage caused by liquid infiltration causes damage to the lamp.**

NOTE: The fastening parts for this lamp are available as accessories. Please For further details, please visit our website: [www.ccealights.com](http://www.ccealights.com)

**5.1 24VDC Power Connection****NOTICE****Any material damage caused by wiring errors will damage the lamp.**

- Qualified personnel must carry out the electrical connections.
- Polarities of the conductors have to be correctly matched.

**NOTICE**

- Stay within the input voltage range for the lamp so you don't damage the LED driver:  
**22 ÷ 36VDC**

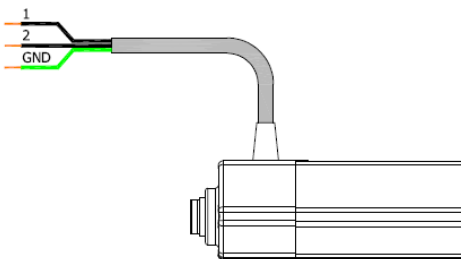
## 5.2 110/230VAC Power Connection



### WARNING

#### High tension, danger of death!

The connection must be made by a specialized electrician.



<i>Conductor</i>	<i>Connection</i>
Black 1	L – 110/230VAC
Black 2	N – 110/230VAC
Yellow/green	GND – 110/230VAC

## 5.3 Wiring Accessories



Cod. N12710001040202  
 CONN M12 4P (M) for  $\varnothing$  6-8mm cable  
 Current max. 4A – Conductors cross-section max. 0,75mm<sup>2</sup> – IP67

## 6. Switching On and Off

- The lamp is equipped with an independent on and off switch system.
- The switch stops in the power phase conductor.

### NOTICE

Stay within the input voltage range for the lamp so you don't damage the LED driver AC/DC.

## 7. Problem solving

In case the lamp doesn't turn on:

- Check that the lamp is properly wired to the supply voltage.
- Check that polarity wiring has been carried out correctly.

Please contact CCEA'S Technical support service in case the lamp is defective

**CCEA Technical Support Service**  
 Phone: +39 0444 572083  
[tecnico@ccealights.com](mailto:tecnico@ccealights.com)  
[www.ccealights.com](http://www.ccealights.com)

## 8. Replacing the LED light source

The outstanding lifetime of the LED light source, over 60.000 hours, makes it unnecessary to replace the PCB LED if the lamp is properly installed and used following the instructions in this manual. Please contact CCEA's Technical Support service - or your Reseller – in case the replacement of the PCB LED is needed for any defects not covered by the warranty.

## 9. Product Maintenance and Cleaning



### WARNING

Switch off the power supply before any installation, maintenance or reparation procedures.

This product is maintenance-free.

- Lamp cleaning to be carried out only after it has been switched off and surfaces have cooled down.
- Carefully rinse the lamp surface with a mild cleanser and then wipe off using a soft cloth in order to avoid scoring it.

### NOTICE

**Leakage of liquid will cause damage to the lamp.**

- The lamp cannot be installed in humid environments

## 10. Repairs

### NOTICE

**All material damages caused by poorly executed repairs may damage the lamp**

- All repairs must be carried out by the manufacturer or by qualified technicians.
- Only use spare parts having been approved by the manufacturer.

## 11. Warranty

### Terms of warranty

CCEA ensures that any control procedures or repairs – to be carried out exclusively at/by CCEA Technical service dept. or by any CCEA'S official dealer – are covered throughout the entire product's lifetime. In view of the above, take care to preserve the product label and case, to be submitted if any repair operations are needed.

All repair and spare parts costs will be notified after the defects have been examined.

The warranty does not cover:

- Any transport, packaging or shipping costs;
- Any damages or deterioration caused by:
  - Installation and/or operation carried out following different ways;
  - Any unauthorized repairs or attempts to repair the product;
  - Equipment operation under environmental conditions other than those specified in the user manual;
  - Liquid leakages inside the lamp;
  - Failure to follow the safety precautions related to transport and shipping the product back for repair (please make sure to have it shipped back in its original case).

### Period of warranty

The warranty period covers 24 months, starting from the delivery date. CCEA guarantees that the products have no manufacturing defects or malfunctioning.

## 12. Product disposal (EU Regulation)

All the electrical and electronic equipment (WEEE) have to be managed with selective waste sorting and cannot be disposed of as municipal waste, as provided for in Directive 2012/19/Ue.

In view of the above this equipment, all its components, subsystems and the consumables which are an integral part of the product have to be conveyed to the local collection facilities for them to be disposed of in accordance with the current legislation.

Please apply to the council offices of your place of residence in order to know where the collection facilities are located.



### 13. Technical data

**NOTE:** Please refer to the data printed on the label or engraved on the lamp.

24VDC version





Power supply	22-36VDC
Power	12-24-36-48W (see lamp)
IEC classe	III
Degree of protection	IP40
LED driver	Integrated driver system
Light color	5000K
CRI	80
Operating Temperature	-20 + 45 °C

For other values see the table on page 7

230V version

Power supply	100-120V 220-240V 50/50Hz
Power	12-24-36-48W (see lamp)
IEC classe	I
Degree of protection	IP40
LED driver	sistema IDS integrato
Light color	5000K
CRI	80
Operating Temperature	-20 + 45 °C

### 14. Simboli

	CE conformity marking
	Class III insulation appliance
	Class I insulation appliance
<b>IP40</b>	IP40 degree of protection
	<b>WARNING:</b> Cancer and Reproductive Harm <a href="http://www.P65Warnings.ca.gov">www.P65Warnings.ca.gov</a>

## 15. Declaration of Conformity

C.C.E.A. SRL, via Piave, 2 - 36077 Altavilla Vicentina (VI), Italy – VAT and Tax number 02374040240 hereby declares that the light equipment named MIZAR – to which the present Declaration of Conformity is related - was manufactured by CCEA SRL in accordance with the following Directives: 2014/35/UE on Low Voltage Equipment Safety and the Directive of Electromagnetic Compatibility 89/336/CEE (EMC) 2014/30/UE. The unit complies in particular with the following regulations:  
llowing regulations:

- **Directives:**



**Machinery Directive 2006/42/EC**  
**Low Voltage Directive 2014/35/EU**  
**EMC Directive 2014/30/EU**

- **Harmonized Standards**

CEI EN 60598-1 “Lighting equipment. Part 1: General instructions and tests”

CEI EN 60598-2-4 “Lighting equipment part 2: particular requirements – part 4 Portable general-purpose luminaries”.

CEI EN 62031 “LED modules for general lighting. Safety specifications”.

CEI EN 62384 “DC or AC supplied electronic control gear for LED modules. Performance requirements”.

This is a standard product manufactured following a detailed production schedule ensuring that inspections and destructive tests were carried out, for a safe, functional and sustainable product to be delivered.

C.C.E.A. SRL disclaims any responsibility resulting from tampering and/or wrong use of the device.

Date: \_\_\_\_\_

Week of production: \_\_\_\_\_

Product code: \_\_\_\_\_

**C . C . E . A . s r l**  
Via Piave, 2  
36077 Altavilla Vicentina (VI) - Italy  
Tel. ++39 0444 572083  
Fax. ++39 0444 572337  
E-mail: ccea@ccealights.com  
www.ccealights.com