

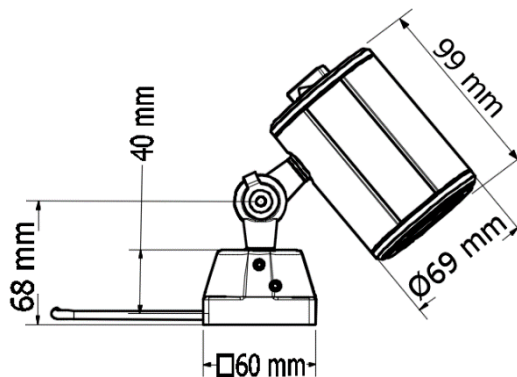


Compact dimensions, they are ideal for workstations and manual machine tools such as manual and semi-automatic cutters, parallel lathes, drills, brushing machine.

Available with short arm BC and flex arm BF.

- Anodized aluminum spot lamp
- High efficiency LED technology – free maintenance
- 3 Power LED light source
- 5000 K light color
- 24 Vdc power supply (integrated driver LED)
- 40° lens available
- IP54 degree of protection

DIMENSIONS



MECHANICAL FEATURES

Model	LY0321BC1
Casing material	Anodized aluminum (spot) – PA66 Base
Side Caps	PA66
Surface Treatment	BLACK
Front glass	PMMA Lens + 2mm glass
Weight	~ 0.66 lb 1,3 kg
Protection Index	IP54
Operating Temperature	-20 °C / + 45 °C
Installation	Screws, CLAMP04

ELECTRICAL FEATURES

Model	LY0321BC1
Power input	6 W
Power supply	24 VDC
Electrical connection	M12 A Coding 3P with cable L. 9.2 ft (2,8 m)
Insulation Class	Class III
Efficiency Clas	A/A+/A++/A+++ (Integrated LED module) compliant with UE Law No. 874/2012

CONNECTION 24 VDC

M12-A 3P M + PUR 3x 0.34 mm² L= 2,8 m

Conductor

Connection

1

+ 24 Vdc

3

0 Vdc

4

Not connected



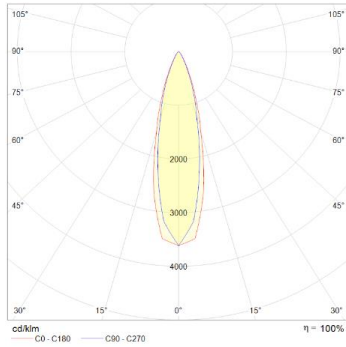
OPTICAL FEATURES

Model	N° and Type of LEDs	LED Lifespan	Light Color	CRI	Light Beam Angle	Luminous Flux	Efficiency
LY0321BC1	3 Power LED	60 000 h L70 **	5000 K	80	Lente 40°	~ 455 lm	~ 75 lm/W

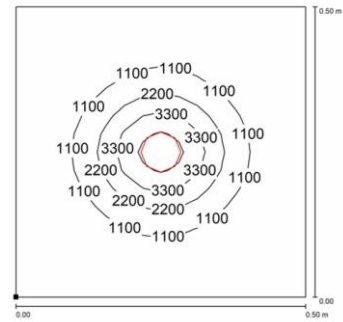
** Flow beam reduced by less than 30% after 60,000 hours

PHOTOMETRIC DIAGRAMS

40° Optics





LY0321BC1



Distance graphic: 1 m

MOUNTING OPTIONS

Product pictures	Description	Code product
	Robust, versatile vibration-resistant metal clamp made of black powder-coated stainless steel. Quick assembly on workbenches, manual machine tools, drilling machines etc.	CLAMP04
	The strong neodymium magnetic base with high adhesion is the perfect solution for all applications that require both high adhesion and frequent changes in light position.	B02

ORDER CODES

Model	Description
LY0321BC1	LYSAR swivel head, 3LED, 40°, 6W, 24Vdc, Cable 9ft(2.8m) with M12A-3P Male, IP54