

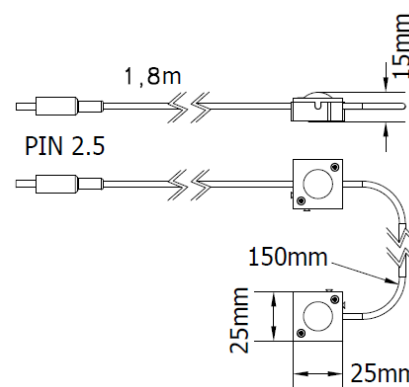
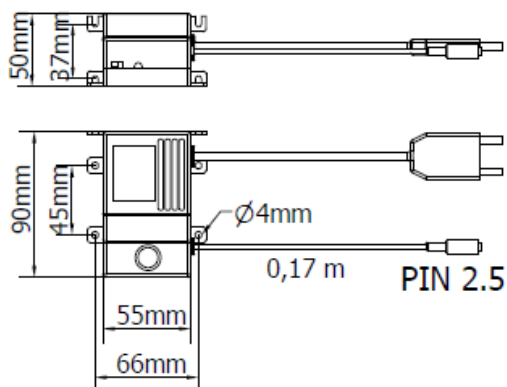
K5LED1W



LED lighting KIT made up of double magnetic LED module and stabilized current LED driver.

- High efficiency LED technology – free maintenance
- 5000 K light color
- Magnetic fixing
- 230 VAC power supply with external LED driver
- Dimmable

DIMENSIONS



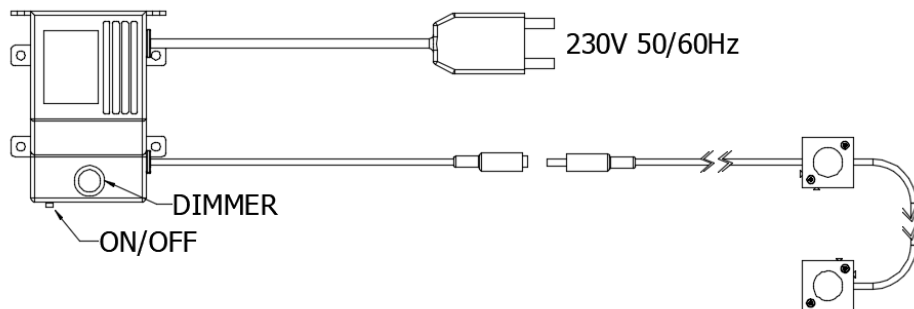
A5LED1W FEATURES (DRIVER)

Power usage	2 W
Power supply	230 Vac
Light source	-
Electrical connection	Europlug + 2.5 mm DC power socket
Housing	ABS
Protection index	IP40
Front protection	-
Operating temperature	-20°C to +45°C (-04°F to +113°F)
Weight	0,40 kg (0,82 lb)
Agency approval	CE, RoHS
Mounting	Screws

M021020J FEATURES (LED)

Power usage	2x 2 W
Power supply	7,6 Vdc
Light source	LED
Electrical connection	2.5 mm DC power plug
Housing	ABS
Protection index	IP40
Front protection	Polycarbonate
Operating temperature	-20°C to +45°C (-04°F to +113°F)
Weight	0,05 kg (0,07 lb)
Agency approval	CE, RoHS
Mounting	Magnetic

230 VAC ELECTRICAL CONNECTION WITH LED DRIVER

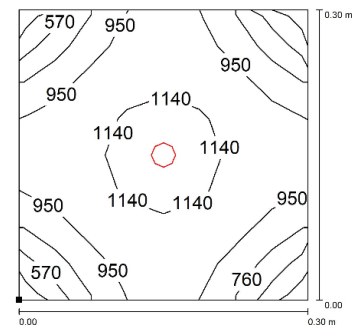
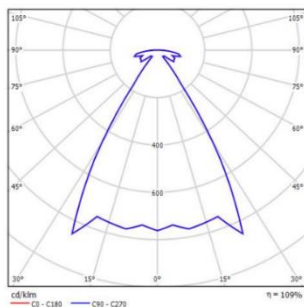


Model

Model	N° and Type of LEDs	LED Lifespan	Light Color	CRI	Light Beam Angle	Luminous Flux	Efficiency
M021020J	2 Power LED	60 000 h L70 **	5000 K	80	120°	~ 170 lm	~ 43 lm/W

** Il flusso luminoso non scende oltre 30% fino a 60.000 di funzionamento

PHOTOMETRIC DIAGRAMS



Distance graphic: 0,3 m

ORDER CODES

Model	Description
M021020J	MOD 2 LED 5000K 1W
A5LED1W	DRIVER 2W 230V CAVO 2M
K5LED1W	KIT 2LED 2x1W 230VAC 1,5m