

RIGEL is the ultimate lighting system for spray booths, expanding the range of CCEA luminaires specifically developed for these applications.

Equipped with specifically designed new electronics and an exclusive optical system, RIGEL provides the operator with references that make spraying easier and highlight the texture, bringing out even the slightest defects.

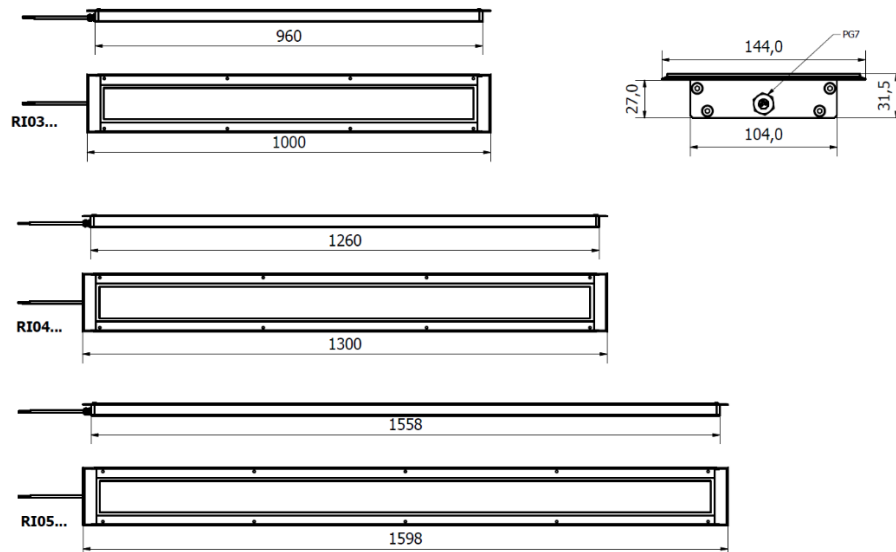
RIGEL connects directly to the 230VAC line, making the installation process smoother and incredibly quicker.

Like all CCEA spray booths luminaires, RIGEL excels for its exceptional luminous flux, robust mechanics and compact dimensions making it perfect even on very thin surfaces.

The greatly long lifetime rating (60,000 hours) and the excellent color rendering index (CRI 90) complete the impressive technical features of RIGEL.

- 3 lengths from 1000 mm to 1600 mm
- Power usage 60 W, 80 W and 100 W
- 230 Vac Power supply via 1,5 - 10 - 20 m cable
- Flush mounted - Installation in 4 minutes
- Light color temperature 6500K - CRI90
- 150° Light beam with linear tube effect
- LED lifespan (L 70) > 60,000 hours

DIMENSIONS (mm)



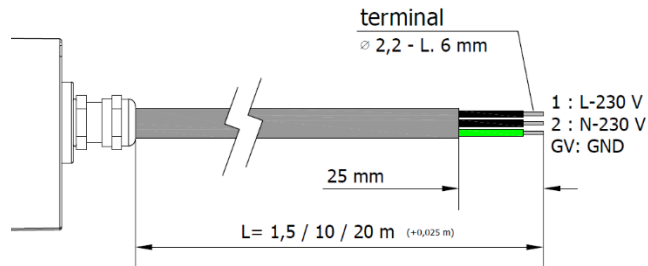
MECHANICAL FEATURES

Model	RI0332S01	RI0332S02	RI0332S03	RI0432S01	RI0432S02	RI0432S03	RI0532S01	RI0532S02	RI0532S03
Casing Material	Extruded aluminum								
Side Enclosers	Extruded aluminum								
Surface Treatment	Standard: 10 microns of natural aluminum solution oxidation								
Front Glass	Extra clear transparent tempered 4 mm thick glass								
Weight	~3,75 kg	~4,25 kg	~4,75 kg	~4,90 kg	~5,40 kg	~5,90 kg	~6,00 kg	~6,50 kg	~7,00 kg
Protection Index	IP67								
Impact Resistance	1.00 N m/s								
Operating Temperature	-20 °C to + 45 °C								
Installation	N° 8 M5 screws			N° 8 M5 screws			N° 10 M5 screws		

ELECTRICAL FEATURES

Model	RI0332S01	RI0332S02	RI0332S03	RI0432S01	RI0432S02	RI0432S03	RI0532S01	RI0532S02	RI0532S03
Power Input	60 W			80 W			100W		
Power Supply	220 ÷ 240 Vac 50/60 Hz								
Device Power Protection	Source 1000 V 50 A								
Electrical Connection	Cable 1,5m	Cable 10m	Cable 20m	Cable 1,5m	Cable 10m	Cable 20m	Cable 1,5m	Cable 10m	Cable 20m
Insulation Class	Class I								
Efficiency Class	G (Integrated LED module) compliant with UE LAW No. 2019/2020								

CONNECTION with Cable

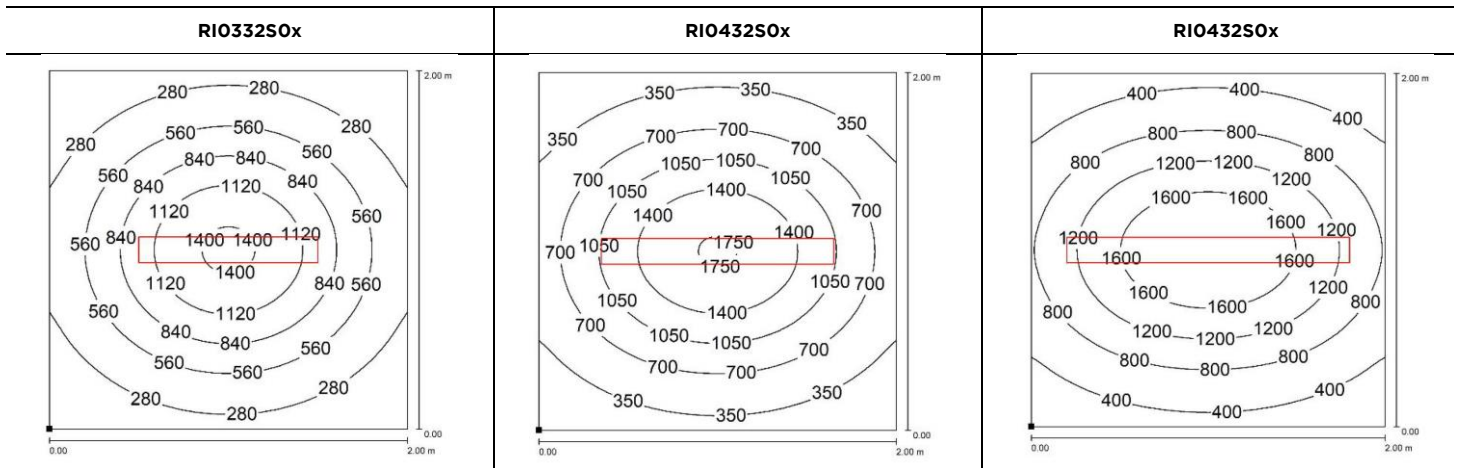
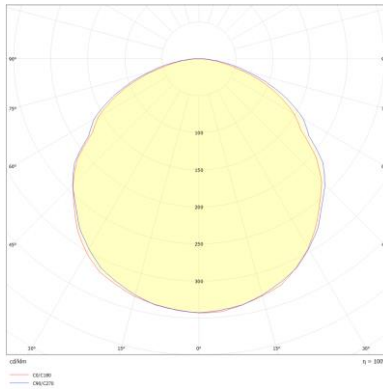
	PUR 3G 0,75 mm ²	Wire	Connection
		1 Black	L - 230 Vac
		2 Black	N - 230 Vac
		Yellow / Green	GND

OPTICAL FEATURES

Model	N° and Type of LEDs	LED Lifespan	Light Color	CRI	Light Beam Angle	Luminous Flux	Efficiency
RI0332S0x	273 Mid Power LED	60.000 L70**	6500K	90	150 °	4100	68lm/W
RI0432S0x	364 Mid Power LED	60.000 L70**	6500K	90	150 °	5450	68lm/W
RI0532S0x	455 Mid Power LED	60.000 L70**	6500K	90	150 °	6850	68lm/W

PHOTOMETRIC DIAGRAMS

150° Flow beam



Distance graphic: 1m

ORDER CODES

Model	Description
RI0332S01	RIGEL, 1000 mm, 150°, 60W, 230Vac, Cable 1,5m
RI0332S02	RIGEL, 1000 mm, 150°, 60W, 230Vac, Cable 10m
RI0332S03	RIGEL, 1000 mm, 150°, 60W, 230Vac, Cable 20m
RI0432S01	RIGEL, 1300 mm, 150°, 80W, 230Vac, Cable 1.5m
RI0432S02	RIGEL, 1300 mm, 150°, 80W, 230Vac, Cable 10m
RI0432S03	RIGEL, 1300 mm, 150°, 80W, 230Vac, Cable 20m
RI0532S01	RIGEL, 1598 mm, 150°, 100W, 230Vac, Cable 1.5m
RI0532S02	RIGEL, 1598 mm, 150°, 100W, 230Vac, Cable 10m
RI0532S03	RIGEL, 1598 mm, 150°, 100W, 230Vac, Cable 20m