

# AMYRA

User Manual

ENGLISH



---

## Index

1. General description of the product .....	3
2. Safety instructions .....	4
2.1 Proper use .....	4
2.2 Product safety .....	4
2.3 Hazard levels .....	6
3. Available versions .....	7
4. Installation guide .....	8
4.1 Sizes .....	8
4.2 Installation .....	9
5. Electrical connection .....	10
6. Switching on and off .....	11
7. Troubleshooting .....	11
8. Replacing the light source .....	11
9. Product maintenance and cleaning .....	11
10. Repairs .....	12
11. Warranty .....	12
12. Disposal .....	12
13. Technical information .....	13
14. Symbols .....	13
15. Declaration of conformity .....	14

## 1. General description of the product



- Lighting appliance for installation inside spray booths.
- Anodized aluminum structure.
- Front protection Tempered glass with an anti-glare internal prismatic cone diffuser.
- High luminous efficiency LED light source.
- Uniform white light 6500K
- Exceptionally powerful flow of light.
- 230 Vac direct power supply.
- Available in three lengths in a recessed version.

## 2. Safety Instructions

Each lighting appliance in the **AMYRA** series is designed and manufactured using state-of-the-art technology. They are made with select high-quality materials. They are carefully checked during every production phase, right through to packaging, using a technical manufacturing table which guarantees reliability and safety.

Nevertheless, material damage or personal injury can occur during use.



- This manual is an integral part of the device. It should be kept close to the appliance.
- Please read all the instructions and information inside.
- Follow the warnings in the instructions and on the appliance.
- Only use the appliance if it is in perfect technical condition, taking into account the hazards and safety warnings.
- The manufacturer accepts no liability from any tampering and/or improper use of the device.

### 2.1 Proper use

This lighting appliance is designed for installation inside spray booths.

### 2.2 Product safety

#### 2.2.1 Electrical hazards

Improper or incorrect use of the appliance can cause personal injury or material damage.

- It must be connected by a qualified electrician.
- Turn off the electricity before carrying out any installation, maintenance or repair work.
- Only connect to a 230Vac supply.
- Make sure that the power supply is in line with the voltage indicated on the label.
- Maintenance and repair work must only be carried out by qualified staff.

#### 2.2.2 Safe assembly

- Do not drop this lighting appliance, even if still in its packaging, and do not hit it aggressively. It can cause personal injury and/or material damage.
- Use the screws suitable for the installation environment for to fasten the lamp.
- Regularly check that the lamp is fastened to the structure.

### 2.2.3 Hazardous glare caused by bright light sources

Staring directly at the light source can temporarily reduce your vision. It can cause irritation, discomfort, damage or accidents.

- Do not stare directly at the light source.
- Install the appliance so that the flow of light is not directly aimed at people's faces.

### 2.2.4 Hazardous laser beams

The EX.AMYRA series lighting appliance must **not** be used around high power lasers, such as cutting lasers, because the laser beam can destroy the LED lights.

### 2.2.5 Hazardous high temperatures

If you install and use the appliance in environments which exceed the permitted operating temperature, it will drastically reduce the life of the LEDs and will break the electronic components inside.

- **Do not** use the appliance in environments which exceed the maximum temperature permitted.
- Avoid direct sunlight.
- Keep the lamps off during operation of the dryer ovens

### 2.2.6 Hazardous repairs

If you dismantle or repair the product without appropriate knowledge of the appliance, it can cause damage to persons or property.

- Do not attempt to dismantle or repair the lamp. Contact qualified staff if you have any technical problems.
- Any unauthorised modifications or tampering with the product will void all warranty conditions.



***Do not open and/or dismantle the lamp***

## 2.3 Hazard levels



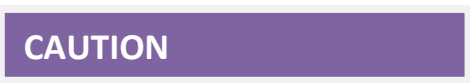
Hazards which, if ignored, **immediately** cause serious injury or even death.



Hazards which, if ignored, **could** cause serious injury or even death.



Hazards which, if ignored, could cause injury.



Hazards which, if ignored, could cause material damage.

### 3. Available versions

The following table is provided so you can properly and optimally install and use this lighting appliance. You can therefore identify your chosen model and check its properties.

**NOTE:** the product code can be found on the plate on the lighting appliance.

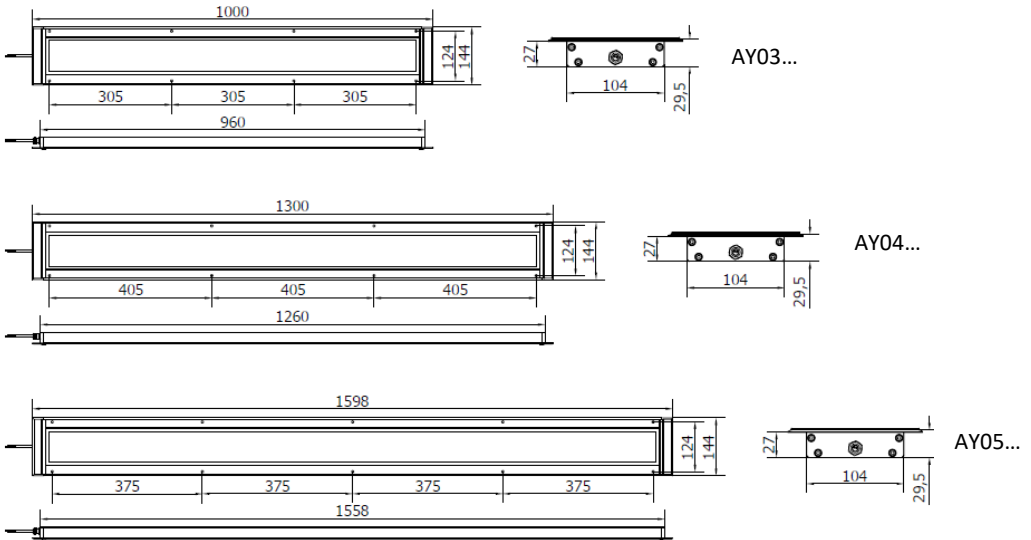
- Find the code on the plate on the lighting appliance;
- Find and compare the model type from the table below;
- The barcode on the code label identifies the week and year of production of the appliance.

*N.B. keep the lamp's labels so you can make a claim if necessary.*

Version with CABLE							
Model	Length	Optics		Power	Power Usage	E Connection	Weight
AY0332S01	1000 mm	Diffuser	110°	60 W	230 Vac	CABLE 1,5 m	~ 4,00 kg
AY0432S01	1300 mm	Diffuser	110°	80 W	230 Vac	CABLE 1,5 m	~ 5,10 kg
AY0432S03	1300 mm	Diffuser	110°	80 W	230 Vac	CABLE 10 m	~ 5,50 kg
AY0532S01	1598 mm	Diffuser	110°	100 W	230 Vac	CABLE 1,5 m	~ 6,20 kg
AY0532S03	1598 mm	Diffuser	110°	100 W	230 Vac	CABLE 10 m	~ 6,60 kg
AY0531S05	1598 mm	Diffuser	110°	100 W	230 Vac	CABLE 20 m	~ 7,00 kg

## 4. Installation guide

### 4.1 Lamp sizes



Code	N° Holes $\varnothing$ 5.5 mm	Built-in window frame
AY0332S01	8	962x106mm
AY0432S01-S03	8	1262x106mm
AY0531S01-S03-S05	10	1560x106mm

Tab. 4.1. Lamp body lengths. The tolerances depend on the working procedure of the raw materials. We recommend the installation of the lamp with passing screws.



## 4.2 Installation



### ATTENTION

**If the lamp falls, it could cause personal or material damage.**

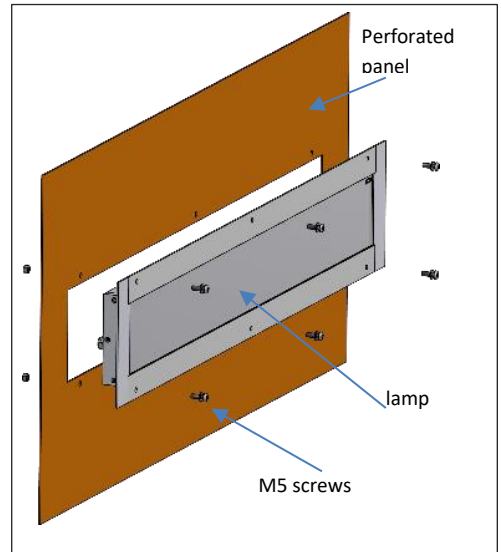
- Only use suitable fasteners to install the lamp.



### WARNING

**Always switch off the electricity before proceeding with installation.**

- Mark out the positions of the fastening holes on the installation surface. See the sizes table on page 8 for the drilling centre lines (see tab on page 12)
- Position the appropriately sized window frame so the body of the lamp can pass through (see tab 6.1 on page. 12)
- Rest the lamp on the structure and then fasten lining up the holes.
- Using proper M5 screws according to the application, place and surface where the product is mounted.



### CAUTION

Regularly check the fastening systems of the lamp.

## 5. Electrical connection



### WARNING

**Always switch off the electricity before proceeding with the electrical wiring of the lamp.**

### 230 Vac connection with cable

### CAUTION

**Any material damage caused by wiring errors will damage the lamp.**

- The electrical connection must be carried out by qualified staff.
- Match the polarities of the conductors.
- Use power cables with sections of at least 0.50 mm<sup>2</sup>

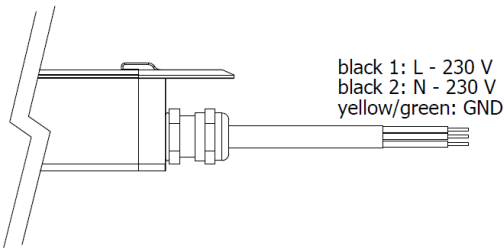
N.B. The cable outlet is on the back of the lamp.

Cable type: PVC 3G0,75mm<sup>2</sup>

### CAUTION

- Stay within the input voltage range for the lamp so you don't damage the LED drivers:

**Range of permitted voltage values  
220 ÷ 240 Vac 50/60 Hz**



## 6. Switching on and off

- The lamp is not fitted with an independent system to switch it on and off.
- The lamp switches on when power is supplied and switches off when the power cuts off.

## 7. Troubleshooting

If the lamp does not switch on:

- Check whether the lighting system is connected to the power supply.
- Check that the connector pins are wired correctly.

If the lamp is faulty, please contact the CCEA technical support service.

**CCEA technical support**  
 Tel. +39 0444 572083  
[tecnico@ccealights.com](mailto:tecnico@ccealights.com)  
[www.ccealights.com](http://www.ccealights.com)



**WARNING**

**Do not attempt to dismantle or open the lamp, otherwise you might run the risk of an electric shock or jeopardise the lamp's airtight seal. The warranty will be void.**



## 8. Replacing the light source

The exceptional duration of the LED light source, which lasts over 50,000 hours, means that you do not need to replace the LED circuits during the lamp's lifetime. If you need to replace the LED light source for reasons not covered by the warranty, please contact C.C.E.A. or see your authorised dealer.

## 9. Product maintenance and cleaning



**WARNING**

**Always switch off the electricity before proceeding with any maintenance.**

The lamp does not require any specific maintenance work.

- Switch the lamp off and wait for all parts to cool down before cleaning it.
- Use a soft cloth and mild detergents so you don't scratch the surface.

## 10.Repairs

### CAUTION

#### Any material damage caused by faulty repairs will damage the lamp.

- Any repairs must be carried out by the manufacturer or by qualified staff.
- Do not open and/or dismantle the lamp.



- Repairs or attempted repairs by staff not authorised by CCEA Srl;
- Use of the equipment under environmental conditions other than those specified in the user manual;
- Penetration of liquids inside the lamp;
- Failure to comply with the recommended precautions for transporting and shipping any returns for repair (please use the original packaging).

## 12. Disposal

According to the provisions of Directive 2002/96/EC, electrical and electronic equipment must be recycled and may not be disposed of as urban waste. Therefore, when you decide to discard this piece of equipment and all its components, including the subsystems and consumables that form an integral part of the product, they must be taken to a local collection centre so they can be disposed of properly in accordance with existing legislation. Ask for information from your local municipal offices to find out where these centres are located.

## 11.Warranty

### Warranty terms

CCEA guarantees to carry out any checks and repairs exclusively at the CCEA Technical Service or at an authorised official dealer throughout the product's lifetime. So please keep the lamp's labels and boxes for any potential repairs.

You will be notified of the costs of any repairs and spare parts once the faults have been analysed.

The warranty does not cover:






- Transport, packaging or shipping costs;
- Deterioration or damaged caused by:
  - Installation and/or use other than the instructions indicated in the user manual;

### 13. Technical information

**NOTE:** the information shown on the lamp's label shall apply

Power supply	220-240 Vac 50/60 Hz
Power	60-80-100 W (see label)
Class IEC	I
Protection rating	IP67
LED driver	IDS system
Light colour	6500K
CRI	80
Operating Temperature	-5 + 45 °C
For other values see the table on page 7	

### 14. Symbols

	CE conformity marking
<b>IP67</b>	IP67 protection
	LED lamp
	Class I insulation appliance
<b>230Vac</b>	24VDC lamp power supply
	Disposal according to Directive 2002/96/EC
	Do not open and/or dismantle the lamp

## 15. Declaration of conformity

C.C.E.A. SRL, Via Piave, 2 - 36077 Altavilla Vicentina (VI) - VAT No and Tax Code 02374040240, declares under its sole responsibility that the AMYRA code AY0332S01-AY0432S01/S03-AY0532S01/S03/S05 series lighting system covered by this declaration complies with Directive 2006/95/EEC on low voltage, with Directive 89/336/EEC on electromagnetic compatibility and, in particular, with the following regulations:

<b>Directive</b>	<b>Description</b>
IEC EN 60598-1	Lighting equipment. Part 1: General requirements and tests.
IEC EN 62471	Photobiological safety of lamps and lamp systems.
IEC EN 62031	LED modules for general lighting - Safety specifications.
IEC EN 61347-2-13	Lamp control gear - Part 2-13: Particular requirements for D.C. or A.C. supplied electronic control gear for LED modules.
IEC EN 62384	D.C. or A.C. electronic driver for LED modules - Performance requirements.

This is a standard product and as such it has been made by the manufacturer according to a certain set of parameters, which guarantees trials and destructive tests to ensure it is safe, functional and durable.

C.C.E.A. SRL accepts no liability from any tampering and/or improper use of the device.

Date:

Week of production:

Item code:

**C . C . E . A . s r l**

Via Piave, 2  
36077 Altavilla Vicentina (VI) - Italy  
Tel. +39 0444 572083  
Fax: +39 0444 572337  
Email: ccea@ccealights.com  
www.ccealights.com



**C.C.E.A. srl**

Via Piave, 2 36077 Altavilla Vicentina (VI) - Italy

Tel. +39 0444 572083 Fax. +39 0444 572337

Email: [cea@ccealights.com](mailto:cea@ccealights.com)

[www.ccealights.com](http://www.ccealights.com)