



E506617
LOW VOLTAGE LUMINAIRE

TRACKALPHA Series

ENGLISH

24VDC

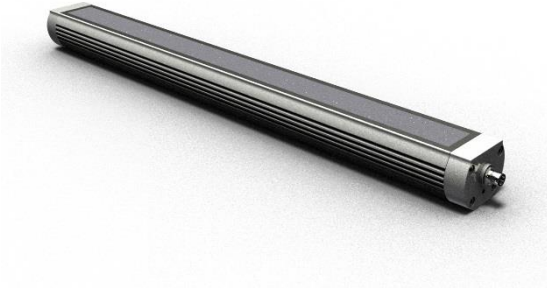
Installation Manual



Table of contents

1. Product description.....	3
2. Safety Warnings	4
2.1 Proper use	4
2.2 Product safety	4
2.3 Risk levels.....	6
3. Available versions.....	7
4. Guide to installation	8
4.1 Product sizes	8
4.2 Mounting accessories.....	8
4.3 Installation	9
5. Plug-in	10
5.1 Low voltage plug-in with M12 connector.....	11
5.2 Power cord	11
5.3 Integrated Power Cord	11
6. Switch on-Switch off	12
7. Problem solving	12
8. Light source replacement	12
9. Product maintenance and cleaning	12
10. Repairs.....	13
11. Warranty	13
12. Product Disposal	14
13. Technical data... ..	14
14. Meaning of symbol keys	15
15. Declaration of conformity.....	16

1. Product Description



- LED Lighting Equipment suitable for medium and large-sized industrial machine tools, anodized aluminum structure with painted side caps
- Tempered satin glass front protection
- High power Led light source
- White homogeneous light
- Highly resistant to impacts, mechanical vibrations and processing shavings
- IP 67 degree of protection lamp with Viton seals
- Plug-in to 24VDC with M12 connector
- Five lengths available
- Use only with class 2 power supply
- Suitable for wet location
- For cabinet use only
- CAUTION: To reduce the risk of fire, do not install in a compartment smaller than 11.8 in2 (30cm²) by length of product.
- Cabinet use also includes under-cabinet and surface mounting use, as applicable.
-

On request:

- 16 ft (5 m) power cord
- TAFX02 Side-mounting brackets

2. Safety instructions

Each lighting device in the **TRACKALPHA** series was designed and manufactured based on state-of-the-art techniques.

It is made of well-selected, high-quality materials. It is carefully tested throughout the production process, from the raw material through to packaging, following a detailed production schedule so as to guarantee that the product is safe and reliable

Material damages, as well as bodily injuries, may nevertheless still occur while using it.



- This manual is part of the equipment and must always be kept with it.
- Please make sure that ALL instructions/information in this manual is carefully read through.
- Strict compliance with the instructions provided in this manual and on the lighting equipment is required for its correct use
- Installation and use of the product is recommended only provided it is in perfect conditions,

and the user is well-acquainted with all safety instructions

- CCEA, the manufacturer, waives any responsibility in case of product tampering or improper use.

2.1 Proper use of the product

This lighting equipment is fit for being installed inside machine tools, even in a wet environment

2.2 Product safety

Electrical Risks

The improper and incorrect use of the equipment may cause bodily injuries and material damages.

- All electrical connection procedures must be carried out by a licensed electrician.
- Switch off the power supply before any installation, maintenance or reparation procedures.
- Ensure to connect to a 24VDC power supply unit. Please respect the polarity of electric conductors.
- Please ensure that the power supply rated tension and frequency meets the requirements shown on the product label.
- Maintenance and reparations must only be carried out by qualified electricians.

Risk of explosion

The Risk of the explosion might occur upon installing and using this product for applications with a high risk of explosion. It might cause severe body injuries.

- **Do not** install and use this product in hazardous environments (high risk of explosion).

Installation and safety

- Handle the lamp with care and avoid having it drop or being hit even it is still packed which might cause body injuries, as well as material damages.
- Ensure the original mounting accessories are used, as available from the manufacturer.
- Set up the mounting accessories properly.
- The equipment must be correctly fastened using the proper screws according to the application, place and surface where the product is being mounted.
- Ensure that the fastenings are regularly checked.

Danger of dazzling glare due to a white light source

Avoid staring directly at the light source, as it may cause a temporary reduction of vision. Irritation, aches, damages or accidents may as well occur.

- Avoid staring directly at the light source.
- The device must be adjusted so as to avoid having the light flow directed towards the eyes.

Danger caused by inappropriate spare parts.

Using inappropriate spare parts may cause bodily injuries and material damages.

- **Do not** use spare parts that have not approved by the manufacturer.

Damage caused by the presence of laser beams

Use of the TRACKALPHA LED lighting equipment **is not** allowed when a high power laser – see: a laser cutting system - is operating, since it may damage the LED source.

Danger due to high temperatures

Installing and using the equipment in all the environments where the existing temperature remarkably exceeds the foreseen operating temperature will considerably reduce LED lifetime while damaging as well the built-in electronic components.

- **Do not** use this Device in environments where the operating temperature of the device is exceeded.
- **Operating temperature -4/+113°F (-20/+45°C)**
- Avoid direct solar radiation.

Danger due to repairs

Having the product disassembled or repaired without any appropriate technical /electrical knowledge may cause damages to persons and objects.

- **Do not** try to repair or disassemble the equipment. Please apply to qualified technicians for any issues. Any product tampering or modifications not having been approved by the manufacturer will null and void the warranty.

NOTICE

Dangers where failure to satisfy requirements **may** cause damages to objects.

2.3 Damage risk levels



DANGER

Dangers where noncompliance may **immediately** severe injuries and eventually lead to death.



WARNING

Dangers where failure to satisfy requirements **may** lead to severe injuries and even death.



ATTENTION

Dangers where failure to satisfy requirements **may** lead to injuries.

Please refer to the table hereunder listing all the lighting equipment, for you to identify the version you need and its main features, for you to have the lighting equipment correctly and efficiently installed and used.

Note: The product code is found on the brand name label stuck on the product's backside.

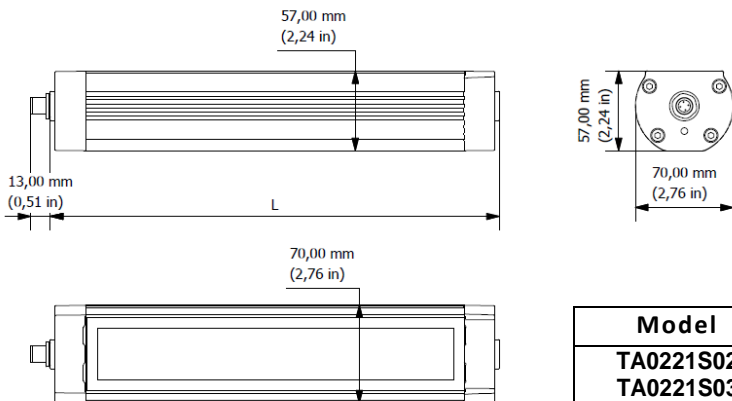
- Find out the product code printed on the brand name label and see if you find it on the table hereunder;
- Compare the codes and see if you can identify the same model on the table hereunder;
- The code printed on the brand name label shows the device's week and year of production.

Note: Do not discard the product labeling which may be requested in case of a complaint.

Versions with M12 Connector T Coding							
Model	Length	Optics	Power	Power Usage	E Connection	Weight	
TA0221S02	12.64 in (321 mm)	Diffuser	120°	13W	22-28 Vdc	M12-T 4P Male	2.40 lb (1.10 kg)
TA0321S02	17.36 in (441 mm)	Diffuser	120°	19.5W	22-28 Vdc	M12-T 4P Male	3.39 lb (1.55)
TA0521S02	26.81 in (681 mm)	Diffuser	120°	32.5W	22-28 Vdc	M12-T 4P Male	5.27 lb (2.40 kg)
TA0721S02	36.26 in (921 mm)	Diffuser	120°	45.5W	22-28 Vdc	M12-T 4P Male	7.03 lb (3.20 kg)
TA1021S02	50.43 in (1281 mm)	Diffuser	120°	65W	22-28 Vdc	M12-T 4P Male	10.00 lb (4.55 kg)
Version with CABLE							
Model	Length	Optics	Power	Power Usage	E Connection	Weight	
TA0221S03	12.64 in (321 mm)	Diffuser	120°	13W	22-28 Vdc	CABLE 10ft (3mt)	2.65 lb (1.20 kg)
TA0321S03	17.36 in (441 mm)	Diffuser	120°	19.5W	22-28 Vdc	CABLE 10ft (3mt)	3.64 lb (1.65 kg)
TA0521S03	26.81 in (681 mm)	Diffuser	120°	32.5W	22-28 Vdc	CABLE 10ft (3mt)	5.62 lb (2.55 kg)
TA0721S03	36.26 in (921 mm)	Diffuser	120°	45.5W	22-28 Vdc	CABLE 10ft (3mt)	7.28 lb (3.30 kg)
TA1021S03	50.43 in (1281 mm)	Diffuser	120°	65W	22-28 Vdc	CABLE 10ft (3mt)	10.25 lb (4.65 kg)

4. Guide to installation

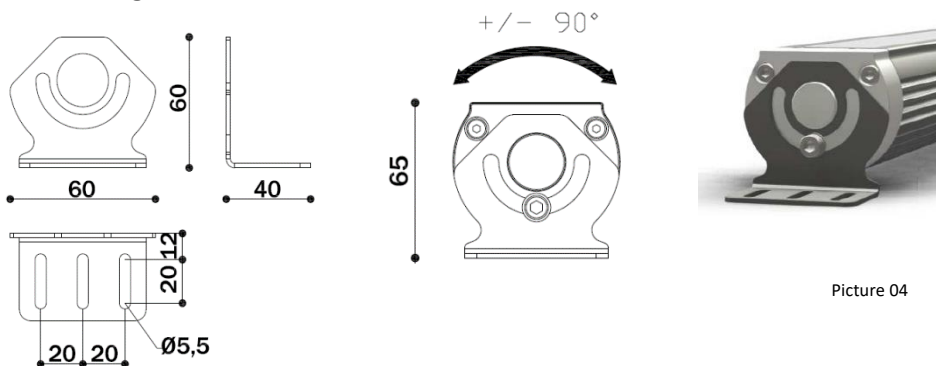
4.1 Product size and accessories



Picture 03

Model	L
TA0221S02 TA0221S03	321 mm (12,64 in)
TA0321S02 TA0321S03	441 mm (17,36 in)
TA0521S02 TA0521S03	681 mm (26,81 in)
TA0721S02 TA0721S02	921 mm (36,26 in)
TA1021S02 TA1021S03	1281 mm (50,43 in)

4.2 Mounting accessories



Picture 04

TAFX02 Side mounting brackets

4.3 Installation



ATTENTION

The lamp fall-down may cause damage to persons and objects

- When mounting the lamp ensure that the original fastenings are used, which you may purchase from the supplier.
- Make sure the mounting accessories have correctly installed



WARNING

Switch off power supply before proceeding to installation.

Correct installation using only the original side-mounting brackets TAFX02

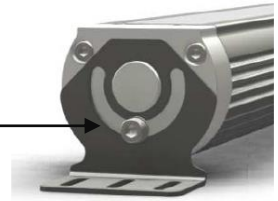
The TRACKALPHA mounting accessories are made of:

- No.2 side fasteners of chrome-plated steel with M6 screws and steel handle washers
- Direction of the luminous flux adjustable at +/- 90°.

Installation with TAFX02 side-mounting brackets

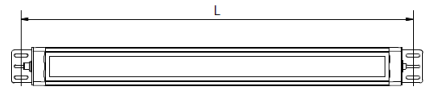
- Hook the two side brackets on the lamp sides using the M6.

TCEI M6
screw +
washer



Picture 05

- Bore the fixing holes on the machine surface - Side mounting pitch for side installation:



Model	L
TA0221S02 TA0221S03	~ 358 mm (14,1 in)
TA0321S02 TA0321S03	~ 478 mm (18,82 in)
TA0521S02 TA0521S03	~ 718 mm (28,27 in)
TA0721S02 TA0721S02	~ 958 mm (37,72 in)
TA1021S02 TA1021S03	~ 1318 mm (51,89 in)

- After the fixing holes have been made, fix the lamp to the machine structure using M5 screws of at least 8 mm. length (2 screws for each fastener). The plate where the lamp will be mounted has to be at least 2 mm thick.
- The lamp position can be adjusted by rotating the same with respect to the standing surface once the M6 screws on each side have been loosened. Once the right position is found,

tighten both screws (see picture hereunder)

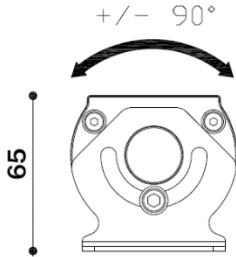


FIG.06

- Use a connector securing the same degree of protection as the lamp, if not greater.
- Ensure that the power cord is correctly plugged into the female connector.

5.1 Low voltage plug-in with M12

NOTICE

Damaged or broken lamp

- When side mounting the lamp ensure to never completely loosen the M6 screws allowing for lamp rotation, to avoid having the lamp fall down.
- The side brackets as well as the screws tightening have to be checked on a regular basis.

NOTE: The fastening parts for this lamp are available as accessories. Please For further details, please visit our website: www.ccealights.com

5. Plug-in

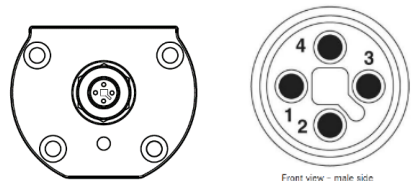
NOTICE

Material damages caused by liquid leakage

NOTICE

A wrong wiring may cause damages to the lamp.

- All electrical connections have to be carried out by qualified electricians .
- Please respect the polarity of connectors
- Always use the power cord being supplied with the lamp.
- Supply wiring: located in class 2, any wiring, rated min. 20 AWG, min. 50V, min. 90°C.



Front view - male side

Picture 07

M12 4P Male connector T Coding (on the lamp)

- | PIN | connection |
|-----|---------------|
| 1 | DC + (24VDC) |
| 2 | Not connected |
| 3 | DC - (0VDC) |
| 4 | Not connected |

5.2 Pre-assembled Power Cord for M12 Lighting

DESCRIPTION



Cod. **M12TFC5** M12 4 poles T Coding, 60VDC connector female with pre-assembled UL PVC Cable, 3G1, 5mmq. Cross-section. Product code includes the above

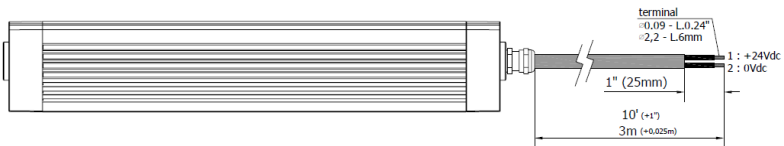


Picture 08

PIN	connection	conductor
1	DC + (24VDC)	black 1
2	Not connected	
3	DC – (0VDC)	black 2
4	Not connected	

5.3 Integrated Power Cord

PVC Power Cord 2x0,75mmq UL90° - 10 ft (3 mt)
Black1: 24Vdc – Black2: 0Vdc



connection conductors

DC + (24VDC)	black1
DC – (0VDC)	black2

6. Switch on –Switch off

- The lamp is not equipped with an independent switch on-switch off system.
- The lamp will switch on when plugged-in and switch off when the power is off.

7. Problem solving

In case the lamp doesn't turn on:

- Check that the lamp is properly wired to the supply voltage.
- Check that polarity wiring has been carried out correctly.

Please contact CCEA'S Technical support service in case the lamp is defective

CCEA Technical Support Service
Phone: +39 0444 572083
ccea@ccealights.com
www.ccealights.com

8. Replacing the LED light source

The outstanding lifetime of the LED light source, over 60.000 hours, makes it unnecessary to replace the PCB LED if the lamp is properly installed and used following the instructions in this manual. Please contact CCEA's Technical Support service - or your Reseller – in case the

replacement of the PCB LED is needed for any defects not covered by the warranty.

9. Product maintenance and cleaning



WARNING

Switch off the power supply before any installation, maintenance or reparation procedures.

This product is maintenance-free.

- Lamp cleaning to be carried out only after it has been switched off and surfaces have cooled down.
- Carefully rinse the lamp surface with a mild cleanser and then wipe off using a soft cloth in order to avoid scoring it.

NOTICE

All material damages caused by liquid leakage may damage the lamp.

- In case the lamp is working in environments where lubricants or coolers are present, all cleaning operations should be carried out at the end of the working cycle.

10. Repairs

NOTICE

All material damages caused by poorly executed repairs may damage the lamp

- All repairs must be carried out by the manufacturer or by qualified technicians.
- Only use spare parts having been approved by the manufacturer.

- Installation and/or operation carried out following different ways;
- Any unauthorized repairs or attempts to repair the product;
- Equipment operation under environmental conditions other than those specified in the user manual;
- Liquid leakages inside the lamp;
- Failure to follow the safety precautions related to transport and shipping the product back for repair (please make sure to have it shipped back in its original case).

11. Warranty

Terms of warranty

CCEA ensures that any control procedures or repairs – to be carried out exclusively at/by CCEA Technical service dept. or by any CCEA'S official dealer – are covered throughout the entire product's lifetime. In view of the above, take care to preserve the product label and case, to be submitted if any repair operations are needed.

All repair and spare parts costs will be notified after the defects have been examined.

The warranty does not cover:

- Any transport, packaging or shipping costs;
- Any damages or deterioration caused by:

Period of warranty

The warranty period covers 24 months, starting from the delivery date. CCEA guarantees that the products have no manufacturing defects or malfunctioning.

12. Product disposal (EU Regulations)

All the electrical and electronic equipment (WEEE) have to be managed with selective waste sorting and cannot be disposed of as municipal waste, as provided for in Directive 2012/19/Ue.

In view of the above this equipment, all its components, subsystems and the consumables which are an integral part of the product have to be conveyed to the local collection facilities for them to be disposed of in

accordance with the current legislation.

Please apply to the council offices of your place of residence in order to know where the collection facilities are located.







13. Technical data

NOTE: Please refer to the data printed on the label or engraved on the lamp.

Power supply	22 ÷ 28 VDC
Power input	13-19,5-32,5- 45,5-65W (see label)
IEC Class	III
Degree of protection	IP67 compatible with NEMA Type 12
LED driver	I.D.S. (Integrated System Driver)
Light color temperature	5000K
CRI	80
Operating temperature	-4/+ 113°F -20/+ 45 °C

For any further information please refer to the table at page 7

14. Symbol keys

	CE Conformity marking
	Protection class III device
IP67	Degree of protection IP67
	UL 2108 STANDARD FOR LOW VOLTAGE LIGHTING SYSTEM – Edition 2 – Revision Date 2017/05/30 CSA C22.2 NO.9.0-96 LUMINAIRES – Edition 1 – Revision Date 1998/07/01. Reaff. 2016
	WARNING: Cancer and Reproductive Harm www.P65Warnings.ca.gov

15. Declaration of Conformity

C.C.E.A. SRL, via Piave, 2 - 36077 Altavilla Vicentina (VI), Italy – VAT and Tax number 02374040240 hereby declares that the light equipment named COMPACT.ALPHA – to which the present Declaration of Conformity is related - was manufactured by CCEA SRL in accordance with the following Directives: 2014/35/UE on Low Voltage Equipment Safety and the Directive of Electromagnetic Compatibility 89/336/CEE (EMC) 2014/30/UE. The unit complies in particular with the following regulations:

Following regulations:

- **Directives:**



Machinery Directive 2006/42/EC
Low Voltage Directive 2014/35/EU
EMC Directive 2014/30/EU

- **Certification**



In Compliance with
UL 2108 STANDARD FOR LOW VOLTAGE LIGHTING SYSTEM – Edition 2
– Revision Date 2017/05/30
CSA C22.2 NO.9.0-96 LUMINAIRES – Edition 1 – Revision Date
1998/07/01. Reaff. 2016

- **Harmonized Standards**

CEI EN 60598-1 “Lighting equipment. Part 1: General instructions and tests”

CEI EN 60598-2-4 “Lighting equipment part 2: particular requirements – part 4 Portable general-purpose luminaries”.

CEI EN 62031 “LED modules for general lighting. Safety specifications”.

CEI EN 62384 “DC or AC supplied electronic control gear for LED modules. Performance requirements”.

This is a standard product manufactured following a detailed production schedule ensuring that inspections and destructive tests were carried out, for a safe, functional and sustainable product to be delivered.

C.C.E.A. SRL disclaims any responsibility resulting from tampering and/or wrong use of the device.

Date: _____

Week of production: _____

Product code: _____

CCEA srl
 Via Piave 2
 36077 Altavilla Vicentina (VI) Italy
 Tel +39 0444 572083
 Fax +39 0444 573715
 Email ccea@ccealights.com
 www.ccealights.com